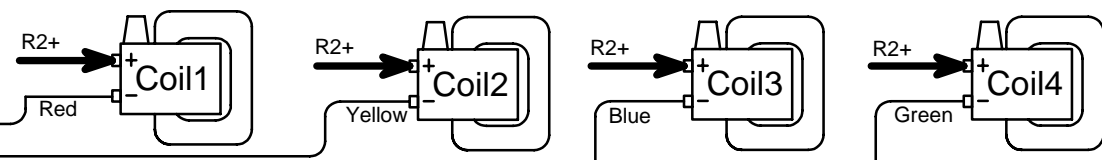


# TITAN Subaru 6xFuse 2.0

Harness Required: E22 Ver 1.0 & E21 Ver 1.0

Last Changed: 10/06/2011

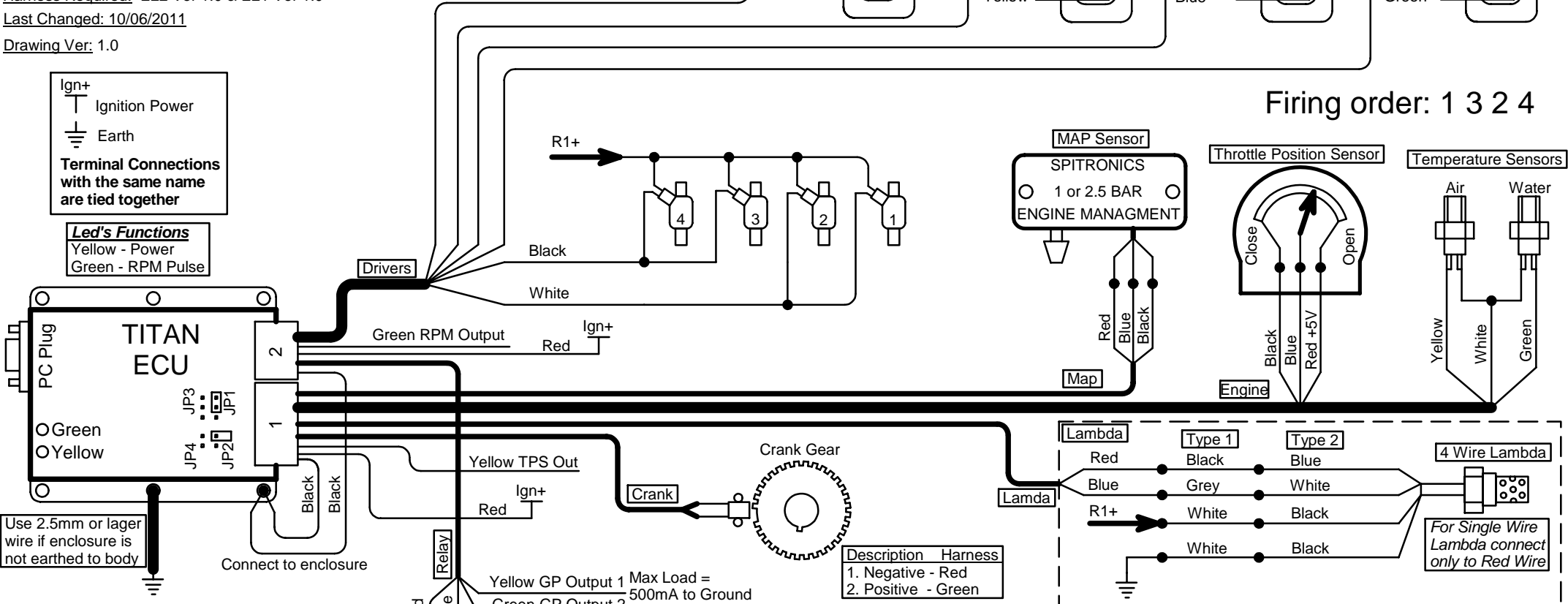
Drawing Ver: 1.0



Ign+ Ignition Power  
 Earth  
**Terminal Connections with the same name are tied together**

**Led's Functions**  
 Yellow - Power  
 Green - RPM Pulse

Firing order: 1 3 2 4

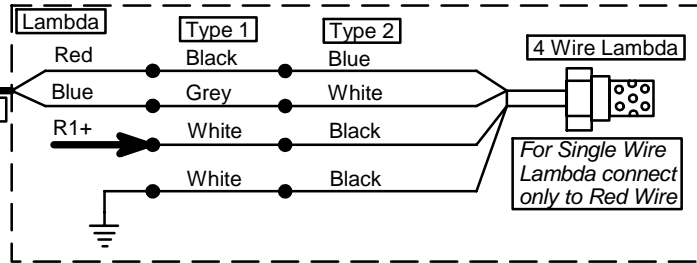


Use 2.5mm or larger wire if enclosure is not earthed to body

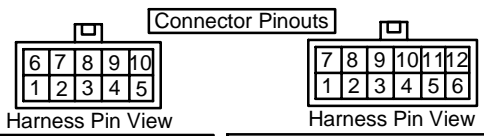
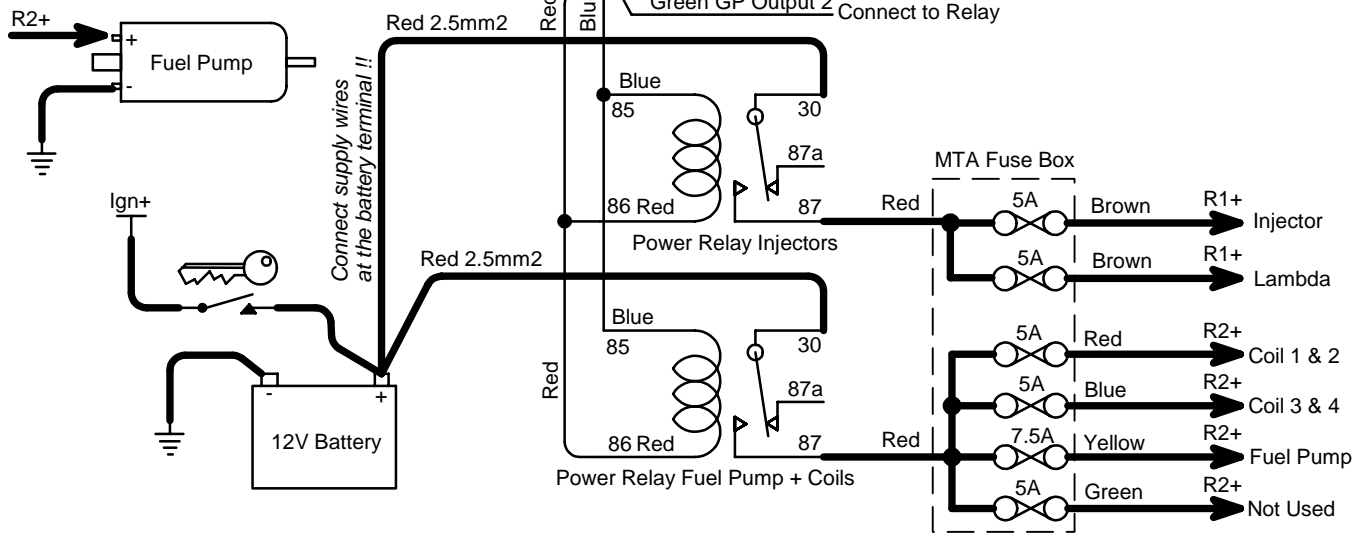
Connect to enclosure

Yellow GP Output 1 Max Load = 500mA to Ground  
 Green GP Output 2 Connect to Relay

Description Harness  
 1. Negative - Red  
 2. Positive - Green



For Single Wire Lambda connect only to Red Wire



- |           |   |             |            |   |                       |
|-----------|---|-------------|------------|---|-----------------------|
| 1. Blue   | - | Coil 3      | 1. Yellow  | - | Air Temp Sensor       |
| 2. Green  | - | Coil 4      | 2. Blue    | - | TPS Sensor            |
| 3. White  | - | Inj 1       | 3. Blue    | - | Map Sensor            |
| 4. Blue   | - | Fuel Relay  | 4. Black   | - | Ground                |
| 5. Yellow | - | GP Output 1 | 5. Blue    | - |                       |
| 6. Red    | - | Coil 1      | 6. Red     | - | Trigger Sensor Power  |
| 7. Yellow | - | Coil 2      | 7. Green   | - | Water Temp Sensor     |
| 8. Black  | - | Inj 2       | 8. Red     | - | Lambda Sensor +       |
| 9. Green  | - | RPM Output  | 9. Red     | - | +5V Output            |
| 10. Green | - | GP Output 2 | 10. Red    | - | +12V Ign Input        |
|           |   |             | 11. Yellow | - |                       |
|           |   |             | 12. Green  | - | Trigger Sensor Signal |